

RIAA PREAMPLIFIER

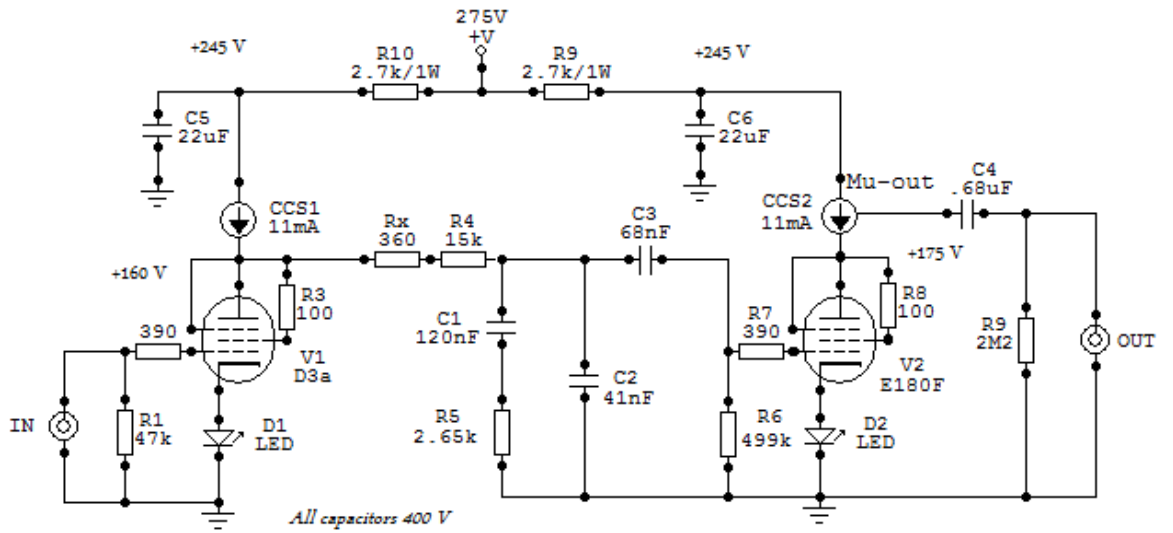


Fig. 1 RIAA PREAMP SCHEMATIC

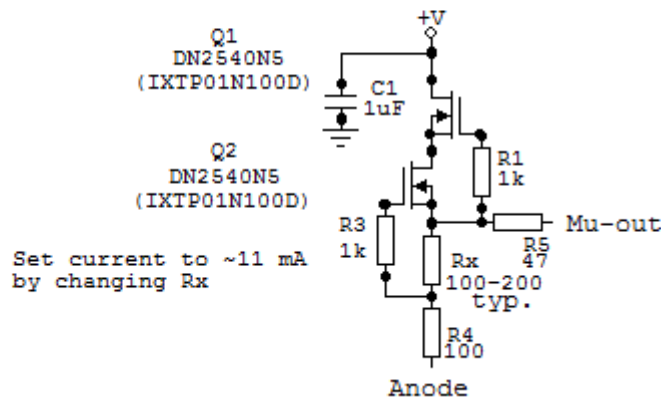
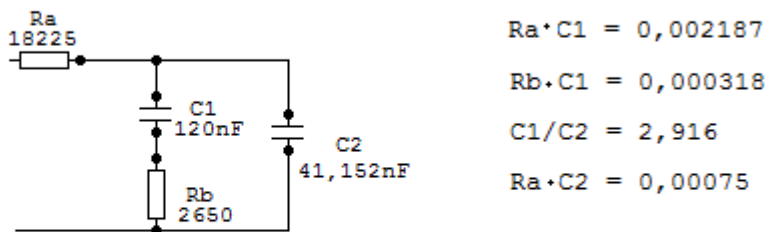


Fig. 2 CCS SCHEMATIC



$$R_a = \frac{(r_p + R_x + R_4) \times R_6}{(r_p + R_x + R_4) + R_6}$$

Fig. 3 RIAA RC FILTER CALCULATION