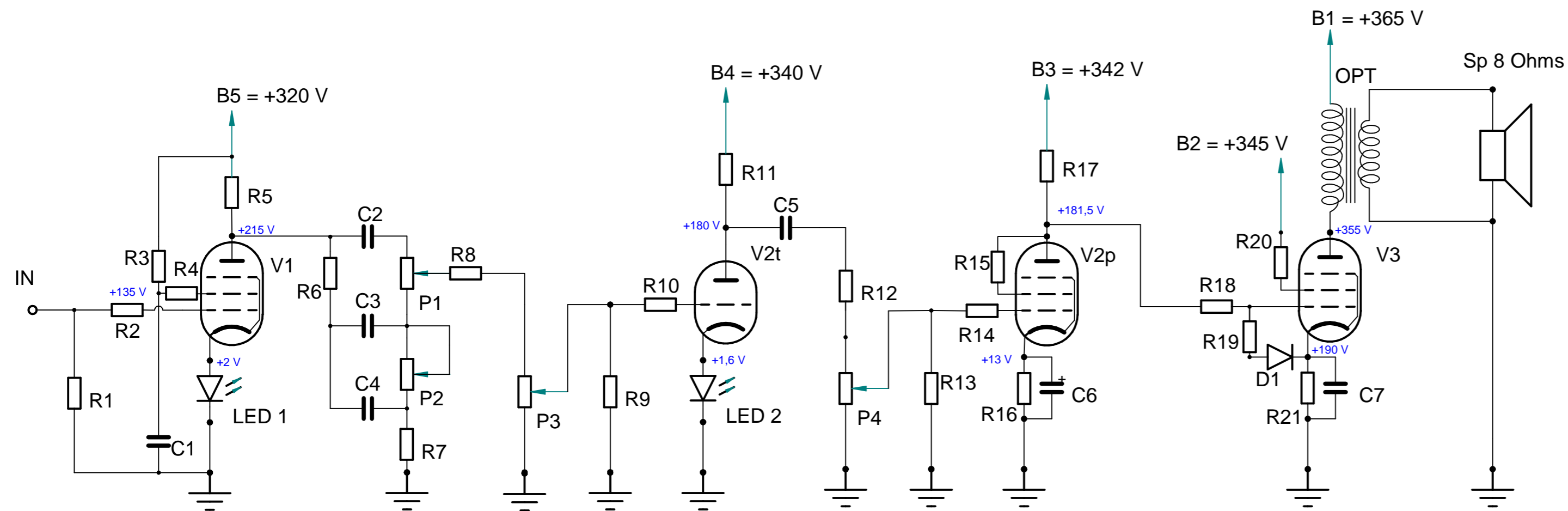


REVISION HISTORY			
REV	DESCRIPTION	DATE	APPROVED



- R1 = 1 Meg
- R2 = 62 k
- R3 = 91 k / 1 W
- R4 = 220 R
- R5 = 10 k / 5 W
- R6 = 43 k
- R7 = 6k8
- R8 = 150 k
- R9 = 1 Meg
- R10 = 10 k
- R11 = 100 k / 1 W
- R12 = 220 k
- R13 = 1 Meg
- R14 = 10 k
- R15 = 220 R
- R16 = 1k2 / 0,5 W
- R17 = 15 k / 5 W
- R18 = 10 k
- R19 = 10 k
- R20 = 470 R
- R21 = 4 k / 20 W

- C1 = 0,47 uF / 400 V
- C2 = 1 nF / 400 V
- C3 = 220 nF / 400 V
- C4 = 56 nF / 400 V
- C5 = 10 nF / 400 V
- C6 = 5 uF / 25 V
- C7 = 22 uF / 400 V

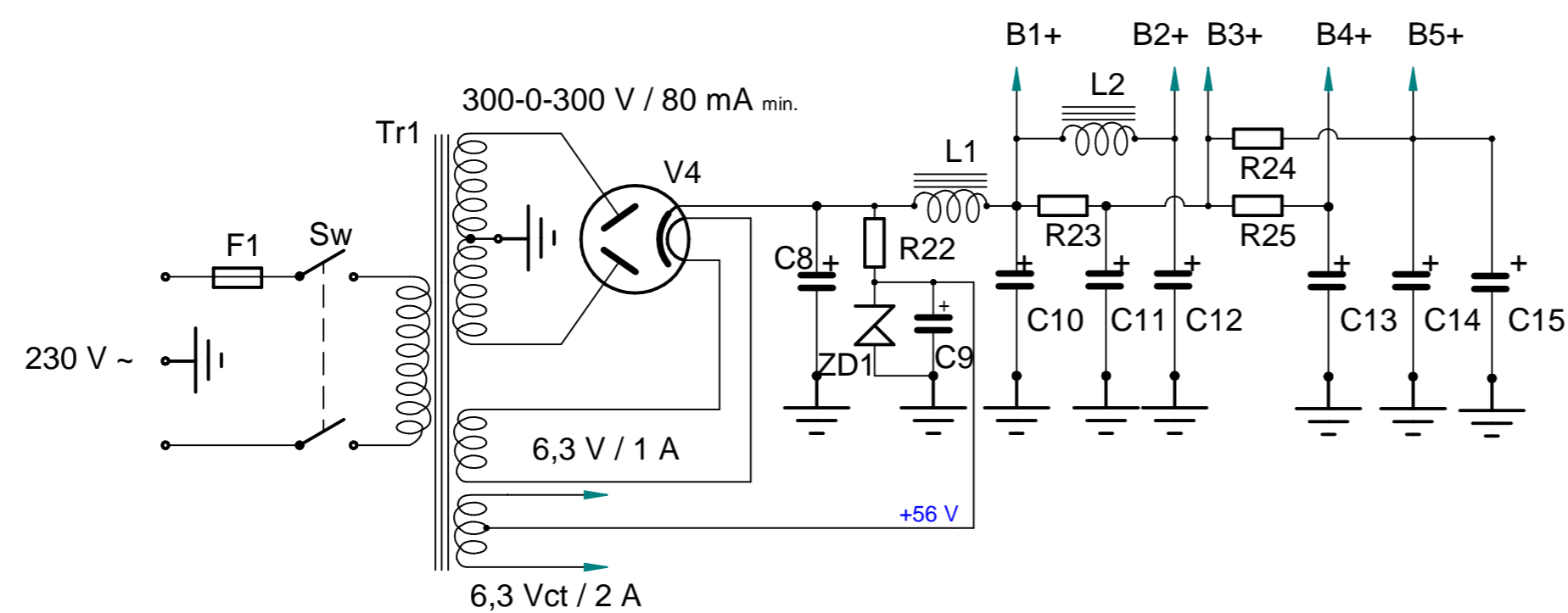
- LED1 = 5 mm Green LED
- LED2 = 3 mm HLMP 1700 RED

D1 = 1N4007

- P1 = 100 k
- P2 = 100 k
- P3 = 100 k log
- P4 = 250 k log

OPT = 4 k : 8 Ohms / 40 mA DC min / 3 W min

- V1 = E83F
- V2 = ECL83
- V3 = CV2179 / A2134



- R22 = 100 k / 2 W
- R23 = 1 k / 2 W
- R24 = 1k5
- R25 = 1k

ZD 1 = 56 V

- L1 = 1,5 H / 56 R / 200 mA
- L2 = 60 H / 2750 R / 8 mA

F1 = 0,5 A

V4 = EZ81 (EZ80)

Voltages on schematics are with EZ81 in place, with EZ80 B+ is ~ 7% lower.

- C8 = 33 uF / 450 V
- C9 = 22 uF / 450 V
- C10 = 33 uF / 450 V
- C11 = 33 uF / 450 V
- C12 = 33 uF / 450 V
- C13 = 33 uF / 450 V
- C14 = 22 uF / 450 V
- C15 = 22 uF / 450 V

**"dr Giovanni MiniMicko" guitar amplifier schematics**  
**Damir FL152, 2018.**

For personal, non-commercial use.  
 Use on your own risk , high voltage present.

SOLID EDGE ACADEMIC COPY

	NAME	DATE	Solid Edge	
DRAWN	Damir	07/09/18		
CHECKED			TITLE	
ENG APPR				
MGR APPR				
UNLESS OTHERWISE SPECIFIED DIMENSIONS ARE IN MILLIMETERS ANGLES ±XX° 2 PL ±XXX 3 PL ±XXXX			SIZE A2	DWG NO 
			SCALE:	WEIGHT:
				REV 
			FILE NAME: MiniMicko-shema.dft	
				SHEET 1 OF 1